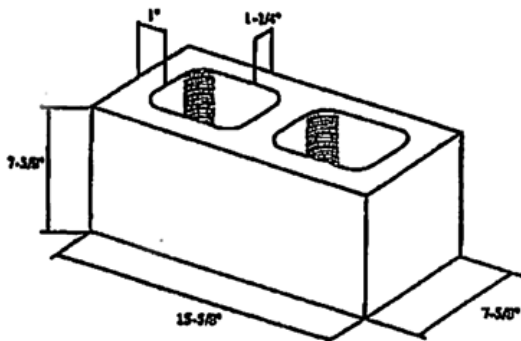
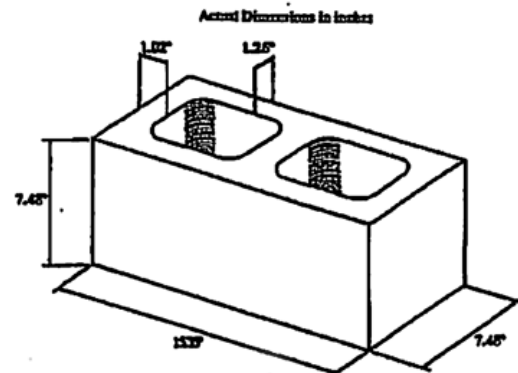
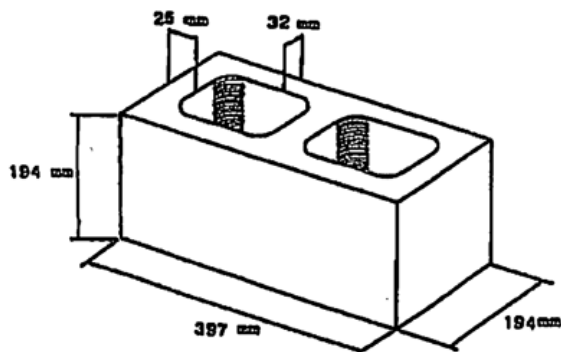
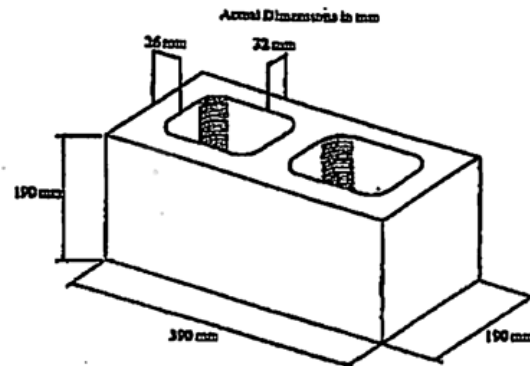


GSA Agrees to Rewrite Metrication Policy

**Soft Metric Conversion (8" x 8" x 16")
Standard U. S. Size Block**



**Hard Conversion (8" x 8" x 16")
Standard Metric Size Block**



Officials at the General Services Administration (GSA) have agreed to redraft its metrication policy as it affects concrete masonry products.

According to GSA, the new metric design guide will contain the following new provisions:

- An exception will be created for CMU. Hard metric conversion for CMU will be listed as optional - the only product thus far to be accorded this treatment.
- Language will be added stating that "Masonry walls have a critical wall thickness for fire resistance and compressive strength. Beyond this, it is not important what dimension the height and width of a masonry unit is except for appearance."